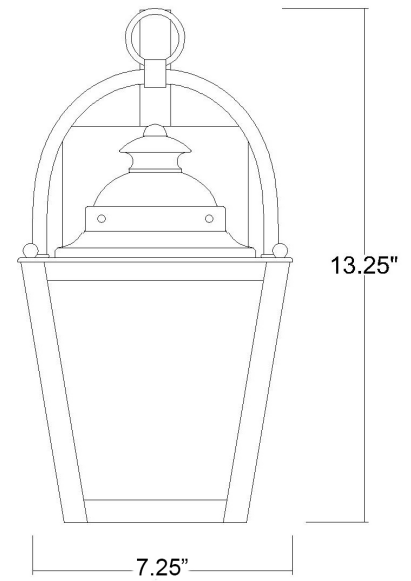
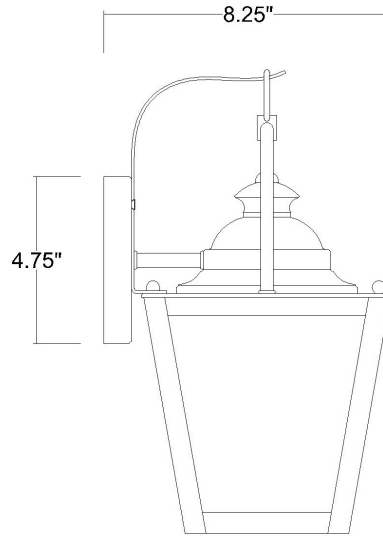


1832ORB

SAVANNAH 1-LIGHT WALL LANTERN



Description:	Savannah 1-Light Wall Lantern
Finish:	Oil Rubbed Bronze
Dimensions:	7-1/4" W x 13-1/4" H x 8-1/4" ext. Height on Center: 5-1/2"
Bulbs:	1-100W Med.
Installed Weight:	4.35 lbs.
Certification:	cETL / wet location

Material:	Stainless steel, aluminum, glass
Shades:	NA
Glass:	Clear
Back Plate Dimensions:	4-3/4" Sq.
Chain/Wire:	NA
Additional Finishes:	NA