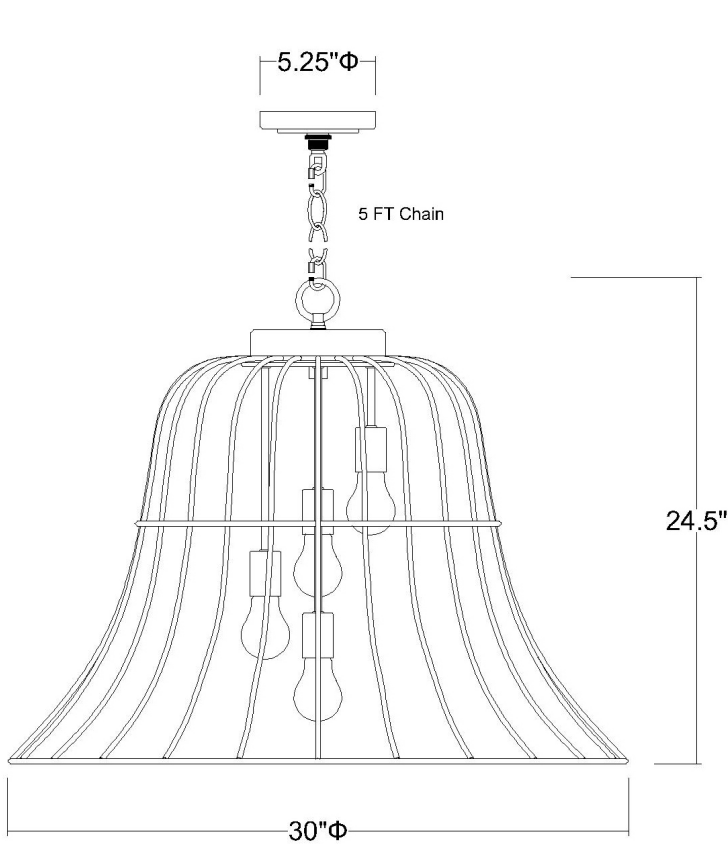


IN11440AG CAROLINE 4-LIGHT PENDANT



Description:	Caroline 4-light pendant
Finish:	Antique gold
Dimensions:	30" D x 24-1/2" H
Bulbs:	4-100w medium, 120V
Installed Weight:	13.2 lbs.
Certification:	Dry location / c UL

Material:	Iron
Shades:	NA
Glass:	NA
Canopy Dimensions:	5-1/4" dia.
Chain/Wire:	5' chain, 12' wire
Additional Finishes:	NA