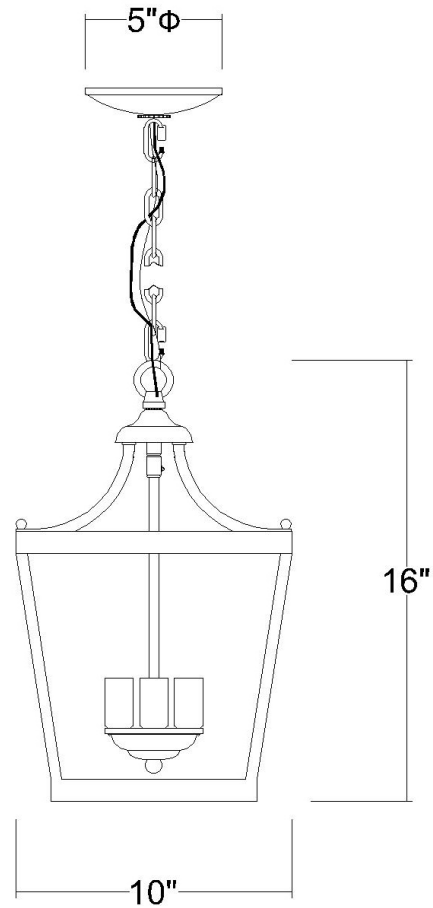


# IN11132SN

## KENNEDY 3-LIGHT CHANDELIER



<b>Description:</b>	Kennedy 3-Light Chandelier
<b>Finish:</b>	Satin Nickel
<b>Dimensions:</b>	10" Sq. x 16" H
<b>Bulbs:</b>	3-60W Cand.
<b>Installed Weight:</b>	6 lbs.
<b>Certification:</b>	cUL / dry location

<b>Material:</b>	Steel
<b>Shades:</b>	NA
<b>Glass:</b>	NA
<b>Canopy Dimensions:</b>	5" Dia.
<b>Chain/Wire:</b>	5' Chain, 12' Wire
<b>Additional Finishes:</b>	BK, ORB